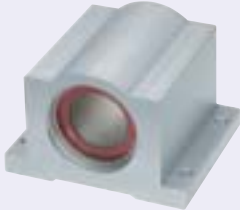


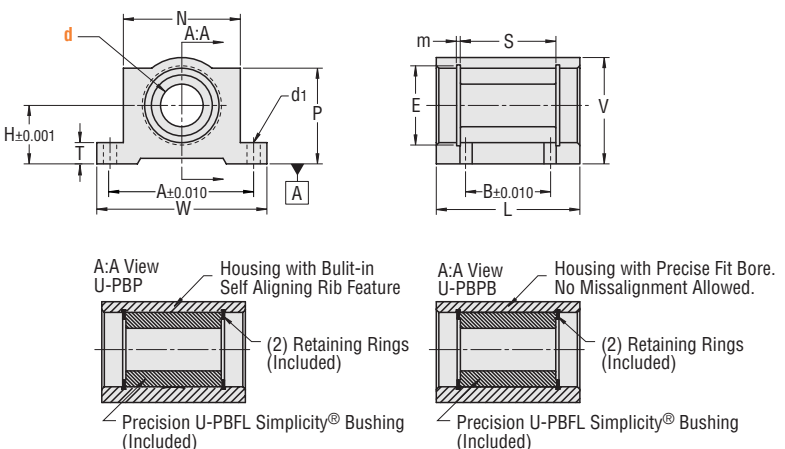
# Simplicity® –Pillow Block Units–

The Simplicity® Pillow Block Units are pre-assembled. They are available with two liner materials:  
 Frelon Gold® that is designed to work with Case Hardened Steel or feather shafts, and Frelon F™ that is designed to work with 440C stainless steel shafts. The Simplicity® bushings are not compatible with chrome plated shafts.



| Housing Material | Surface Treatment  | Pillow Block                       | Running Clearance | Lining Material          | Type   |
|------------------|--|------------------------------------|-------------------|--------------------------|--------|
| 6063-T6 Aluminum | Bushings: Red Anodizing (0.0002" Thickness)<br>Pillow Block: Clear Anodizing (0.0002" Thickness) | Self Aligning                      | 0.0005" per Side  | Frelon Gold® (see P.645) | U-PBP  |
|                  |  | Straight (No Misalignment Allowed) |                   | Frelon F™ (see P.645)    | U-PBPF |
|                  | Frelon Gold® (see P.645)   |                                    |                   | U-PBPB                   |        |
|                  | Frelon F™ (see P.645)  | U-PBPF                             |                   |                          |        |

Material Characteristics **P.645, 629**  
 Frelon Liner Characteristics and other technical information **P.646**  
 The Simplicity® bushings are not compatible with chrome plated shafts.  
 For more information on the bushings included with the assembly see P.89.



**General Tolerance**  
 Unless otherwise specified use the table below.

| From   | To     | Tolerance |
|--------|--------|-----------|
| 0.000  | 5.000  | +0.01     |
| 5.001  | 16.000 | +0.02     |
| 16.001 | 60.000 | +0.05     |

Surface Roughness: Unless otherwise specified  $\sqrt{R}$

| Type                         | Part No. |         |           |        | \$ Unit Price (Qty. 1-9) |        |        |        |
|------------------------------|----------|---------|-----------|--------|--------------------------|--------|--------|--------|
|                              | Callout  | Nominal | Tolerance |        | U-PBP                    | U-PBPF | U-PBPB | U-PBPF |
|                              |          |         | 0.2511    | 0.2502 |                          |        |        |        |
| Self Aligning<br>U-PBP       | 0.25     | 1/4     | 0.2511    | 0.2502 | 24.90                    | 24.90  | 24.90  | 24.90  |
|                              | 0.38     | 3/8     | 0.3761    | 0.3752 | 26.00                    | 26.00  | 26.00  | 26.00  |
|                              | 0.50     | 1/2     | 0.5013    | 0.5002 | 27.90                    | 27.90  | 27.90  | 27.90  |
|                              | 0.63     | 5/8     | 0.6263    | 0.6252 | 30.90                    | -      | 30.90  | -      |
| Straight<br>U-PBPB<br>U-PBPF | 0.75     | 3/4     | 0.7516    | 0.7503 | 32.50                    | 30.90  | 32.50  | 30.90  |
|                              | 1.00     | 1"      | 1.0016    | 1.0003 | 46.80                    | -      | 46.80  | -      |
|                              | 1.25     | 1-1/4   | 1.2519    | 1.2504 | 69.60                    | -      | 69.60  | -      |
|                              | 1.50     | 1-1/2   | 1.5019    | 1.5004 | 87.80                    | -      | 87.80  | -      |

**Order Example** **The part number consists only of the fields with blue characters.** **Please refer to the table below for technical information.**

Part No. **U-PBPB 0.63**

Type **d**

### Technical Information

| Callout | Nominal | H     | W     | L     | V     | A      | B      | N     | d1            |           |
|---------|---------|-------|-------|-------|-------|--------|--------|-------|---------------|-----------|
|         |         |       |       |       |       |        |        |       | Hole Diameter | Bolt Size |
| 0.25    | 1/4     | 0.437 | 1.625 | 1.188 | 0.813 | 1.3120 | 0.7500 | 1.000 | 0.156         | #6        |
| 0.38    | 3/8     | 0.500 | 1.750 | 1.313 | 0.938 | 1.4370 | 0.8750 | 1.125 | 0.156         | #6        |
| 0.50    | 1/2     | 0.687 | 2.000 | 1.688 | 1.250 | 1.6880 | 1.0000 | 1.375 | 0.156         | #6        |
| 0.63    | 5/8     | 0.875 | 2.500 | 1.938 | 1.625 | 2.1250 | 1.1250 | 1.750 | 0.188         | #8        |
| 0.75    | 3/4     | 0.937 | 2.750 | 2.063 | 1.750 | 2.3750 | 1.2500 | 1.875 | 0.188         | #8        |
| 1.00    | 1"      | 1.187 | 3.250 | 2.813 | 2.188 | 2.8750 | 1.7500 | 2.375 | 0.219         | #10       |
| 1.25    | 1-1/4   | 1.500 | 4.000 | 3.625 | 2.813 | 3.5000 | 2.0000 | 3.000 | 0.219         | #10       |
| 1.50    | 1-1/2   | 1.750 | 4.750 | 4.000 | 3.250 | 4.1250 | 2.5000 | 3.500 | 0.281         | 1/4       |

| d    | T     | P     | S              | m            | E               | Unit Weight (lbs) | Maximum Static Load (lbs) |           | TRUARC Retaining Ring Part No. (Included) |
|------|-------|-------|----------------|--------------|-----------------|-------------------|---------------------------|-----------|---|
|      |       |       | Groove Spacing | Groove Width | Groove Diameter |                   | Frelon Gold®              | Frelon F™ |   |
| 0.25 | 0.188 | 0.750 | 0.750          | 0.039        | 0.532           | 0.099             | 600                       | 300       | WH- 51                                    |
| 0.38 | 0.188 | 0.875 | 0.875          | 0.039        | 0.665           | 0.129             | 1020                      | 510       | WH- 65                                    |
| 0.50 | 0.250 | 1.125 | 1.250          | 0.046        | 0.931           | 0.250             | 1950                      | 975       | WH- 90                                    |
| 0.63 | 0.281 | 1.438 | 1.500          | 0.056        | 1.197           | 0.500             | 2940                      | 1470      | WH-115                                    |
| 0.75 | 0.313 | 1.563 | 1.625          | 0.056        | 1.330           | 0.580             | 3810                      | 1905      | WH-128                                    |
| 1.00 | 0.375 | 1.938 | 2.250          | 0.068        | 1.671           | 1.000             | 7050                      | 3525      | WH-156                                    |
| 1.25 | 0.438 | 2.500 | 2.625          | 0.068        | 2.122           | 2.000             | 10290                     | 5145      | WH-200                                    |
| 1.50 | 0.500 | 2.875 | 3.000          | 0.086        | 2.519           | 3.000             | 14100                     | 7050      | WH-237                                    |

**Days to Ship** **1** Day

**Price**

| Quantity | 1-9 | 10-29 | 30-49 | 50~ |
|----------|-----|-------|-------|-----|
| Rate     | -   | 2%    | 3%    | 5%  |

For larger quantity orders "Days to Ship" may differ from published catalog term. **P.29**

**Related Components**

Linear Shafts P.39

Pacific Bearing® Feather Shafts® P.65

- Contents
- How to Use the Catalog
- Linear Motion
- Linear Shafts
- Bushings
- Shaft Supports
- Shaft Collars
- Linear Guides
- Rotary Motion
- Rotary Shafts
- Bearings w/ Housings
- Pulleys Belts Couplings
- Locating Components
- Locating Pins & Bushings
- Locating Components
- General Components
- Pivot Pins Floating Joints
- Posts Device Stands Strut Clamps
- Angle Plates Gussets Welded Stands
- Washers Collars
- Manifolds
- Urethanes Rubbers
- Plates
- Misc.
- Technical Data
- Business Information
- Index

**Express Options** **P.30**

**MISUMI**  
 www.misumiusa.com E-mail: inquire@misumiusa.com

TEL. 1-847-843-9105 FAX. 1-847-843-9107 TOLL FREE TEL. 1-800-681-7475 TOLL FREE FAX. 1-800-681-7402